

# PFAFF

## Creative Performance

### Parts list

Nicht nummerierte Teile im Katalog werden nicht geliefert.

The parts mentioned without number in the parts list are not available.

Les pièces qui ne sont pas numérotées dans la liste de pièces détachées ne peuvent être livrées.

Bei Bestellung von Ersatzteilen muss die Modell-Nr. der Maschine, die Seitenzahl des Kataloges und die Teilenummer angegeben werden.

Prière d'indiquer dans vos commandes de pièces de rechange, le numéro de la machine, le numéro de la page dans la liste des pièces détachées, ainsi que les numéros des pièces commandées.

When ordering spare parts, please state the model number, the page number in the catalogue of spare parts and the number of the parts called for.



Please note that on disposal, this product must be safely recycled in accordance with relevant National legislation relating to electrical/electronic products. If in doubt please contact your retailer for guidance.



Bitte beachten Sie, dass hinsichtlich der Entsorgung dieses Produkts, vorschriftsmäßig entsprechend der gültigen nationalen Gesetzgebung für elektrische/elektronische Produkte, recycelt werden muss. Bei Zweifel setzen Sie sich bitte mit Ihrem Fachhändler in Verbindung.

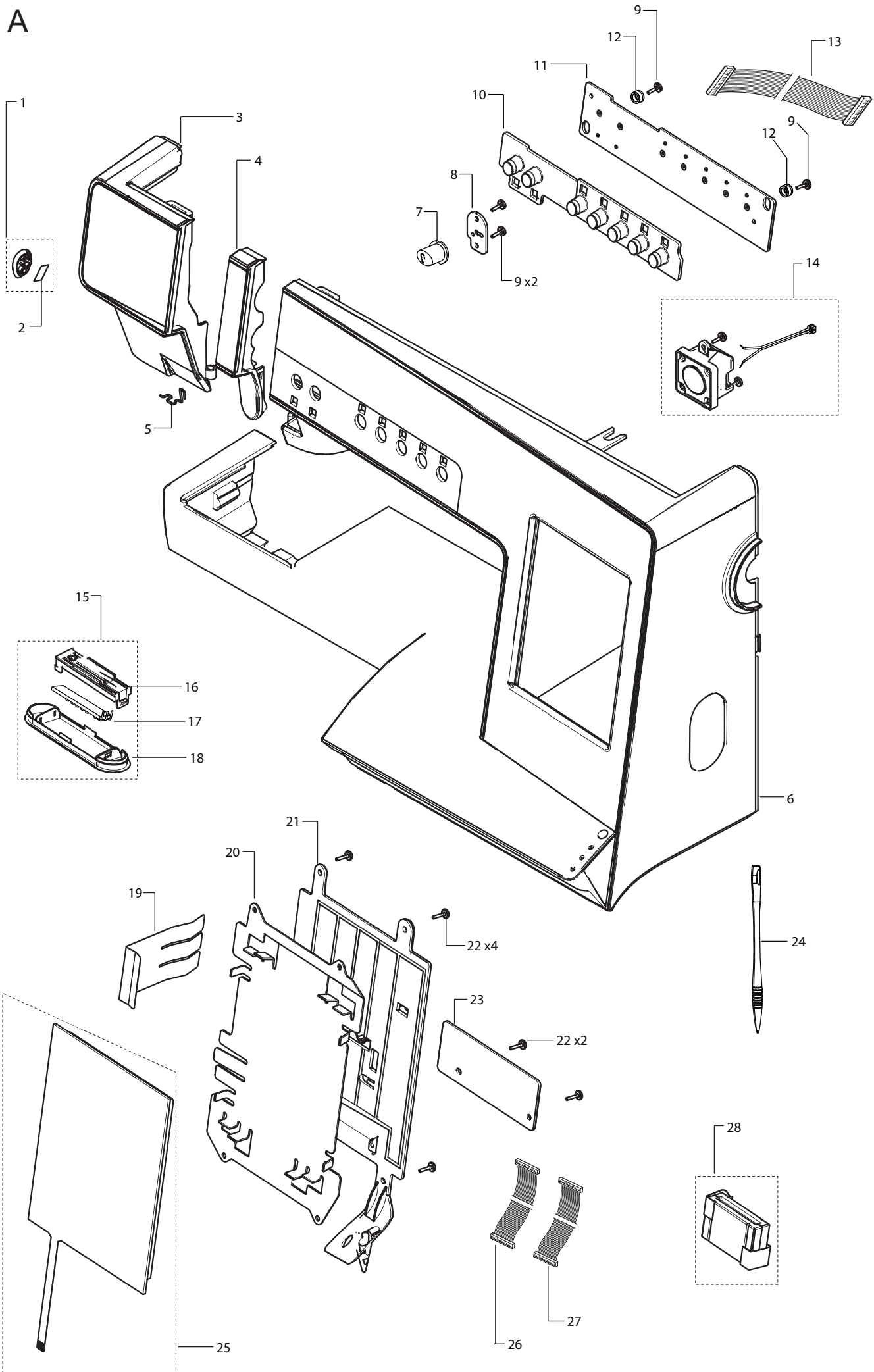


Veuillez noter qu'en cas de destruction, ce produit doit bénéficier d'un recyclage sécurisé, conforme à la législation nationale applicable aux produits électriques/électroniques. En cas de doute, veuillez contacter votre distributeur agréé.

- All casted parts within our products are marked with name of material if allowed by size.
- All molded plastic parts within our products are marked with name of material if allowed by size.

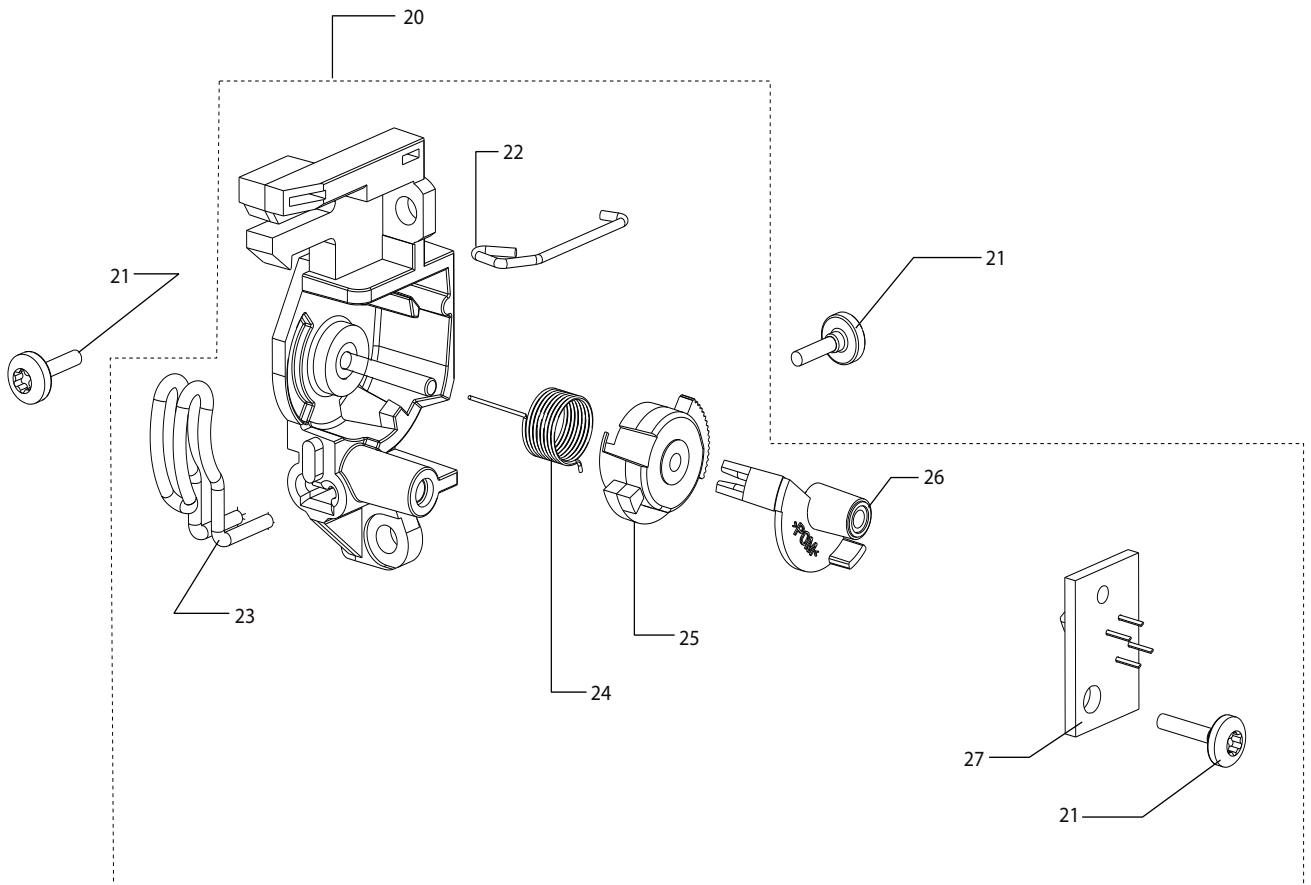
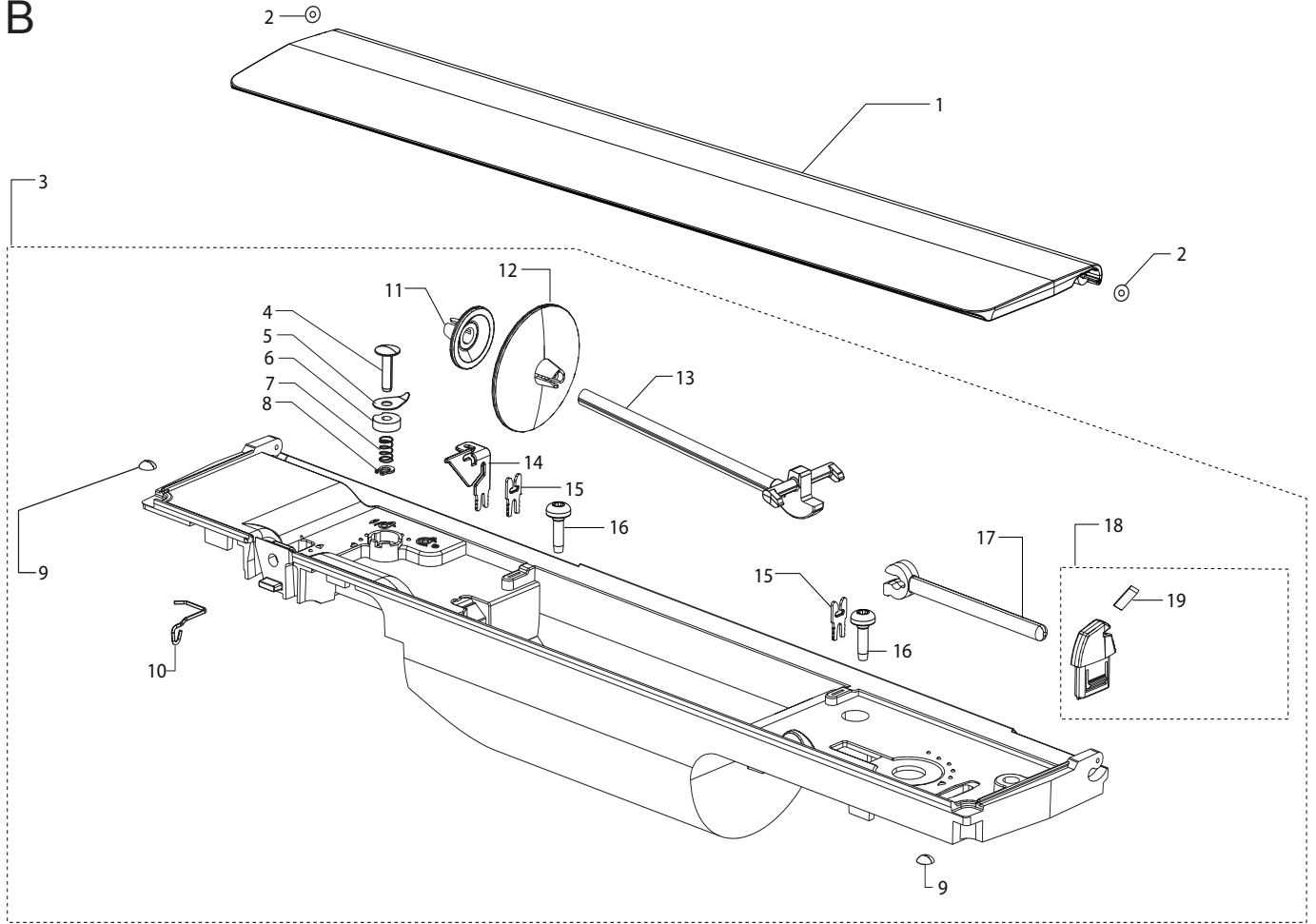


A



1	413066201	THREAD KNIFE CPL.
2	412423701	THREAD CUTTER
3		COVER SEWINGH. W. FRONT C.P
4	413054605	GUIDE CPL. C.P
5	413068801	THREAD GUIDE
6	413065303	FRONT COVER WITH FRONT C.P
7	413057601	REVERSE BUTTON
8	413067401	BOARD, REVERSE BUTTON
9	411966801	SCREW PT 30*7,5 FZB TORX
10		KEY SET
11	413067701	KEYBOARD FRONT
12	413068501	DISTANCE
13	412546911	CABLE ASSEMBLY (20P)
14	413050001	LOUDSPEAKER BOX CPL.
15	413055902	LED LIGHT CPL.
16	413133001	LED HOLDER C
17		LED UNIT
18	413055801	LED GLASS
19	413150401	CONTACT SPRING, GROUND
20		GROUNDING PLATE CPL.
21		DISPLAY BRACKET
22	411966820	SCREW 30*10 FZB KOMBITORX
23	413141801	CONNECTOR BOARD DISPLAY
24	412693406	STYLUS, TRANSPARENT VIOLET
25	413213501	DISPLAY CPL. W. TOUCH PANEL
26	412546915	CABLE ASSEMBLY (16P)
27	412546914	CABLE ASSEMBLY (14P)
28		FERRITE
29	413146401	CABLE, DISPLAY

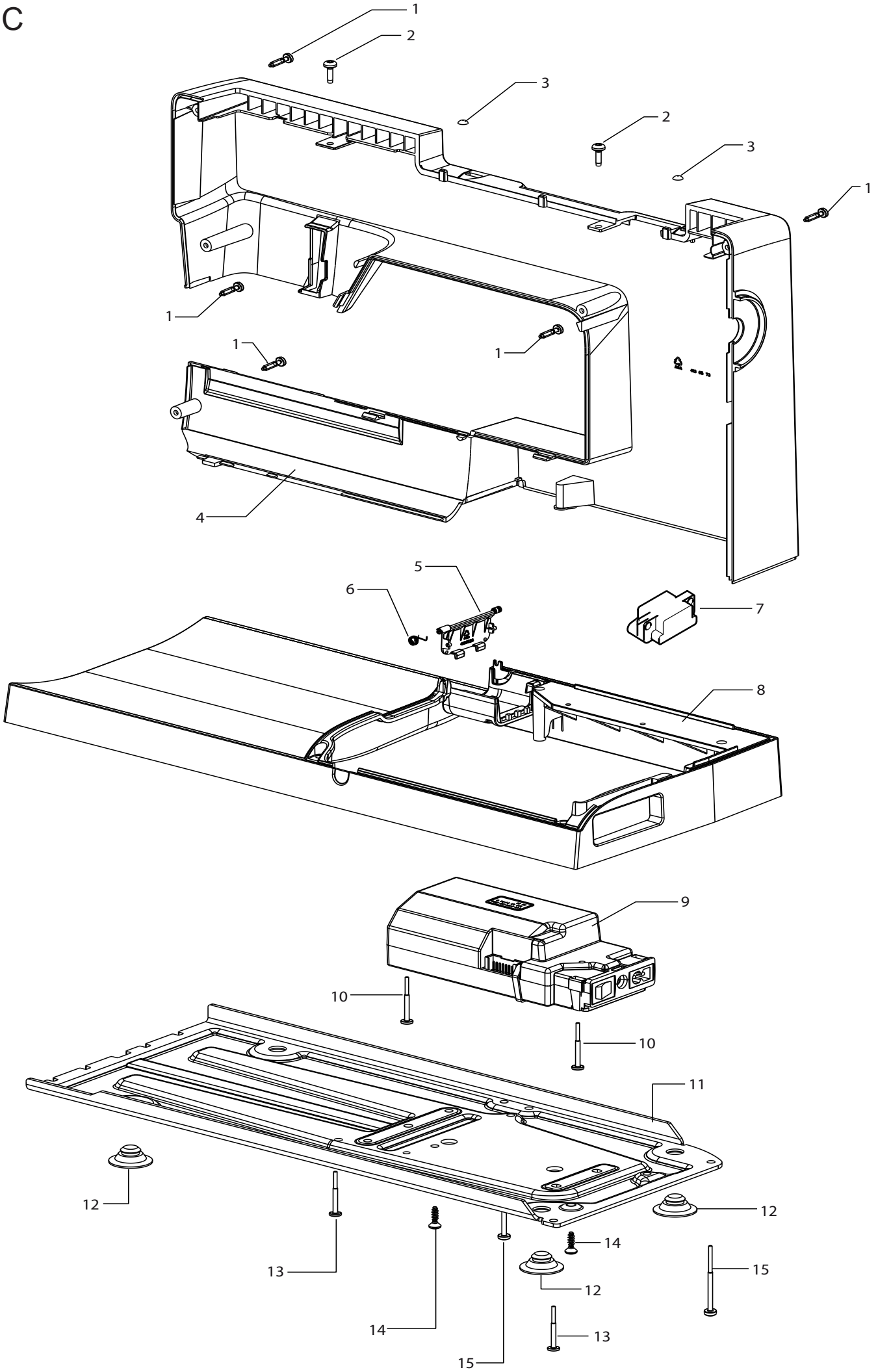
B



1	413053308	LID CPL. C.P
2	413139901	BUSHING
3	413064705	TOP COVER CPL.
4	9303017435000	GUIDE PIN
5	9303906805000	THREAD GUIDE, BOBBIN WINDER
6	9303205025000	THREAD GUIDE
7	9304006005000	SPRING
8	1261814045000	RING PN 12618-3,5
9	412569701	DAMPER
10	413064602	THREAD GUIDE
11	413051601	SPOOL HOLDER 22MM
12	413051603	SPOOL HOLDER 45MM
13	413064501	REEL PIN
14	413190001	THREAD GUIDE CPL.
15	413060201	THREAD GUIDE
16	412056005	SCREW TAPTITE M4*10 TORX
17	412960401	THREAD REEL PIN
18	413022501	COVER THREAD KNIFE CPL. WIN.AV.
19	412423701	THREAD CUTTER
20	413004003	THREAD SENSOR CPL.
21	411966820	SCREW 30*10 FZB KOMBITORX
22	413004501	THREAD CONTROL,THREAD SENSOR
23	412519301	THREAD GUIDE
24	412519202	CHECK SPRING
25	413004301	ADJUSTING SLEEVE
26	413004402	SENSOR THREAD TENSION
27	413017603	THREAD SENSOR ASSEMBLY

C

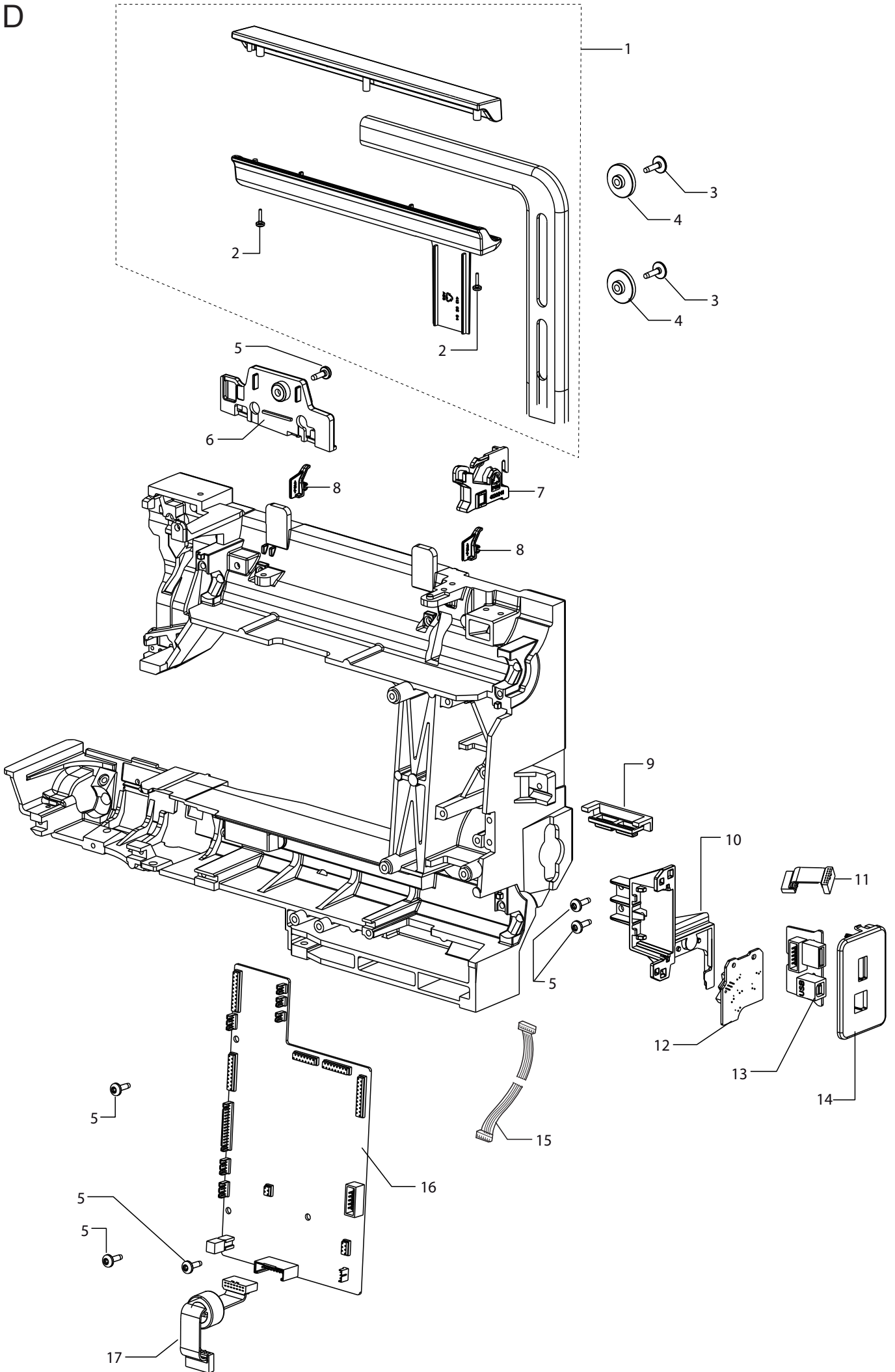
Pfaff Creative Performance





1	411966803	SCREW PT 30*12 FZB TORX
2	412056005	SCREW TAPTITE M4*10 TORX
3	412569701	DAMPER
4	413057301	BACK COVER,PFAFF HIGH
5	413052501	LID, XY-UNIT
6	413068601	TORSION SPRING
7	413092602	CABLE ASS. XY SEW. MACHINE
8	413034703	BOTTOM COVER APF, KNEE LIFT
9	413390102	POWER SUPPLY CPL.
10		SCREW PT FS 40*35 FZB TORX
11	412954501	BOTTOM PLATE
12	412305001	BASEPLATE RUBBER FOOT
13	411966812	SCREW PT 40*40 FZB TORX
14	412056001	SCREW TAPTITE M5*14 TORX
15	411966813	SCREW PT 40*50 FZB

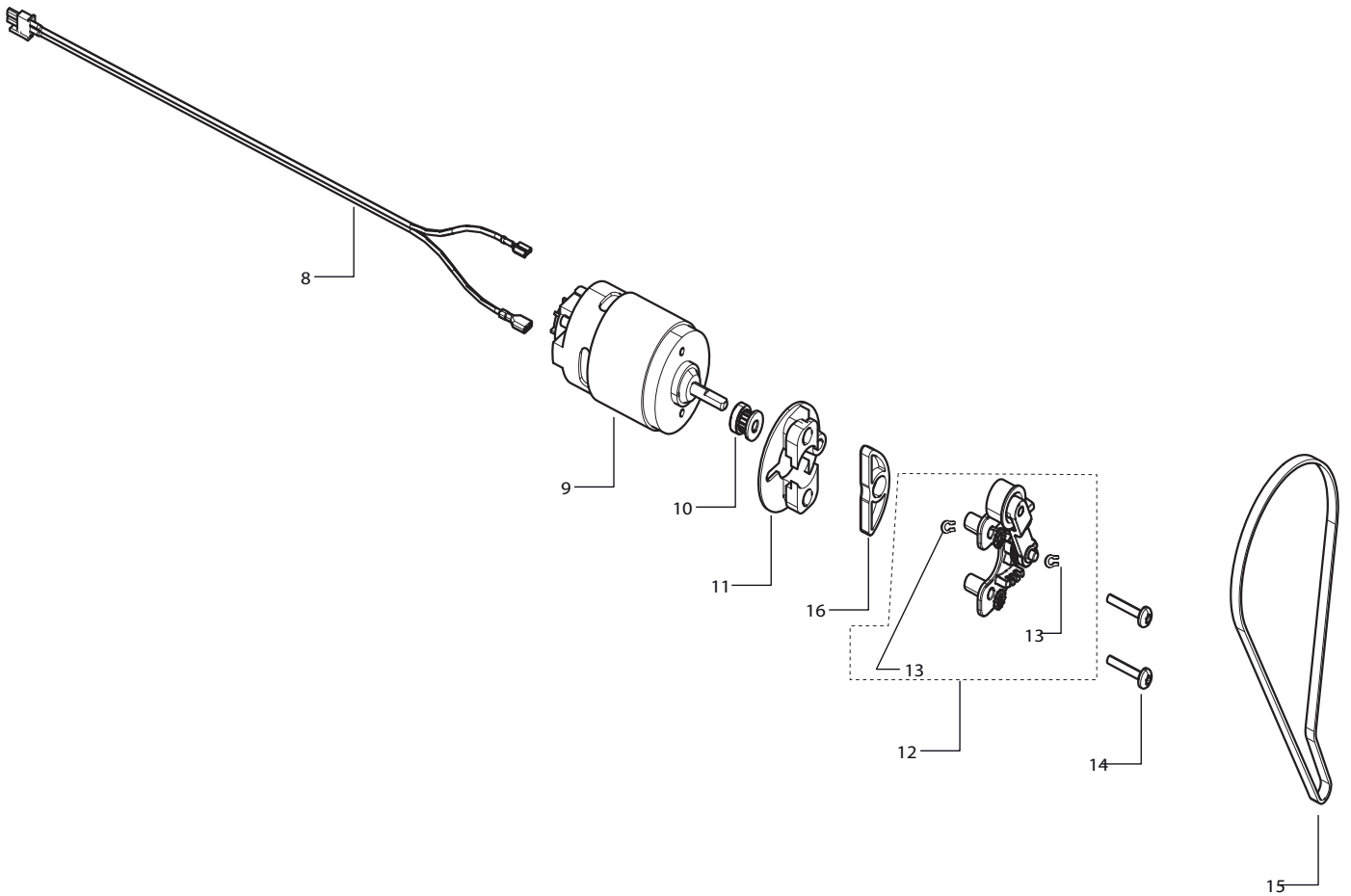
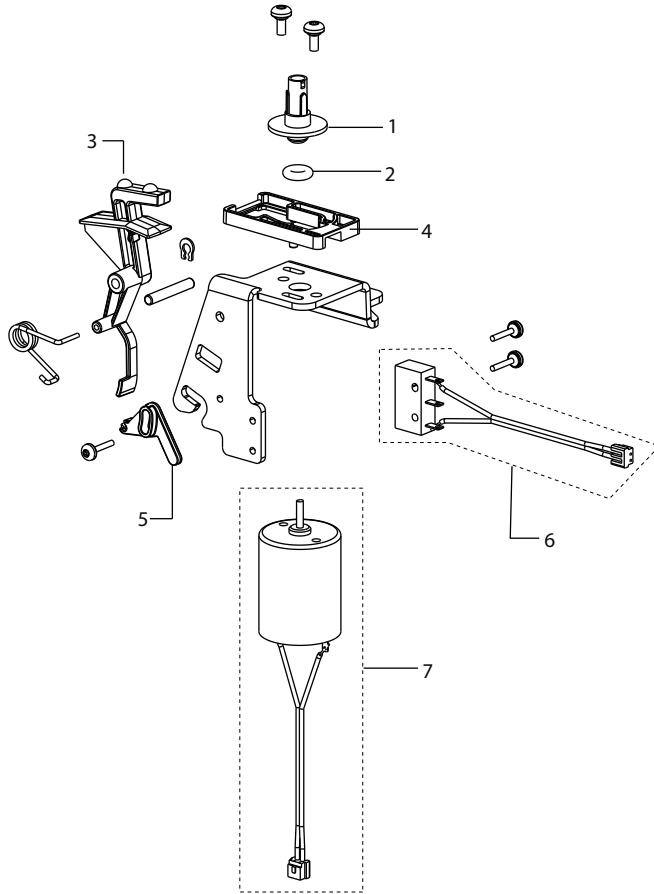
D



1	413056101	HANDLE PART CPL.
2	411966820	SCREW 30*10 FZB KOMBITORX
3	413169401	COLLAR SCREW TT TORX 4*14
4	413056501	BUSHING, HANDLE PFAFF
5	412056006	SCREW TAPTITE M4*12 TORX
6	413063901	CABLE SHIELD
7	413024101	CABLE LOCATOR
8	413024201	CABLE CLAMP
9	413075601	CABLE LOCATOR
10	412985502	HOLDER
11	413108801	CABLE,USB
12	412986401	SENSOR BOARD, ASS.
13	413024401	USB BOARD DUAL CPL.
14	413024601	COVER,USB DUAL,PFAFF
15	412546913	CABLE ASSEMBLY (6P)
16	413051853	MAIN PC-BOARD CREATIVE PERFORMANCE
17	412349704	CABLE TRANSF-CONTROL BOARD

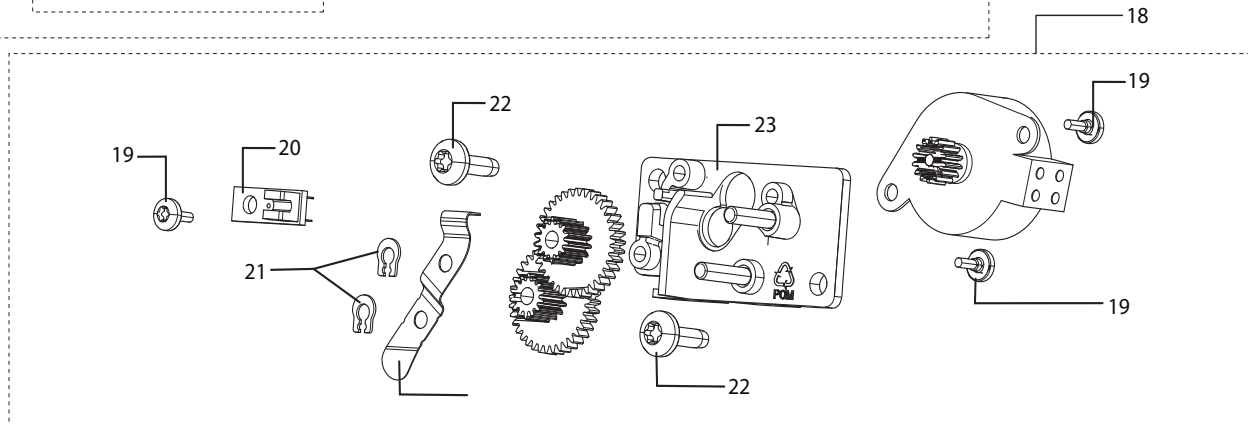
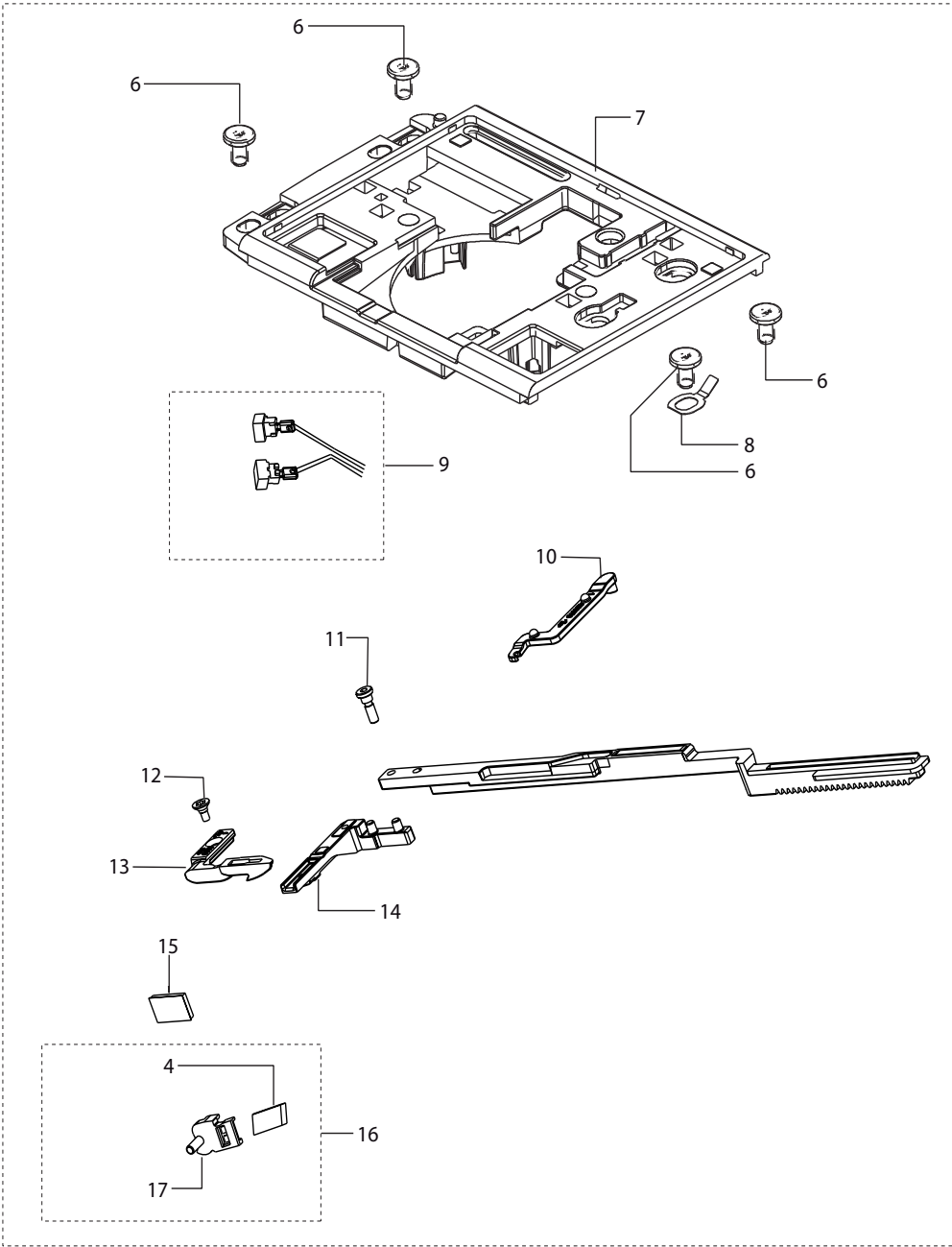
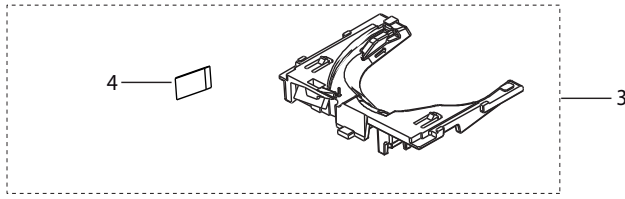
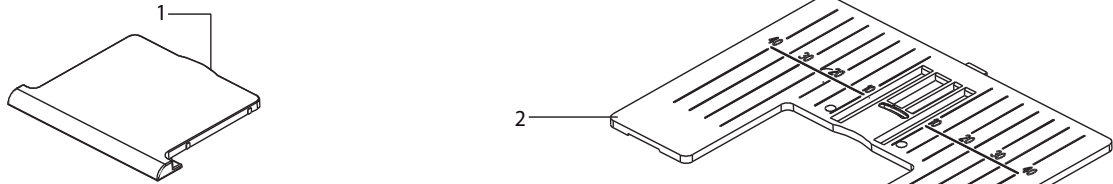
E

Pfaff Creative Performance



1	413062101	WINDING SHAFT
2	412305502	O-RING
3	413061901	BOBBIN,WINDER LEVER
4	413062001	BRAKE LEVER
5	413024701	SWITCH LEVER,WINDER
6	413049102	MICROSWITCH CPL.
7	413093001	BOBBIN WINDING MOTOR CPL.
8	413056901	CABLE MAIN MOTOR
9	9233011191000	ENGINE DOMEL
10	412353302	PULLEY CPL.
11	412999902	RUBBER DAMPER, MOTOR
12	412971902	BELT STRETCHER CPL.
13	735613640	COMPRESSION RINGS Ø4
14	412211415	SCREW M4*20 TORX
15	413020201	COG BELT MOTOR

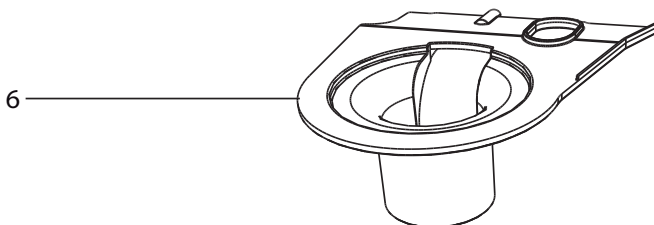
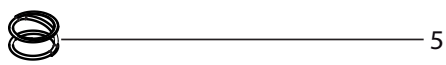
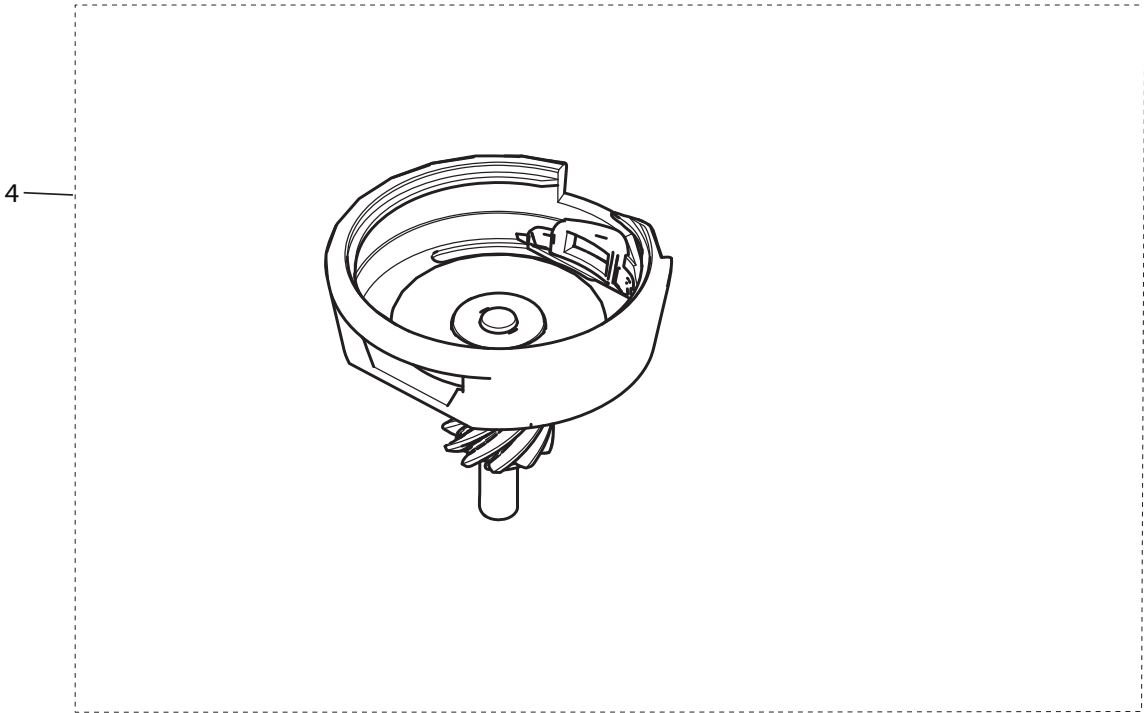
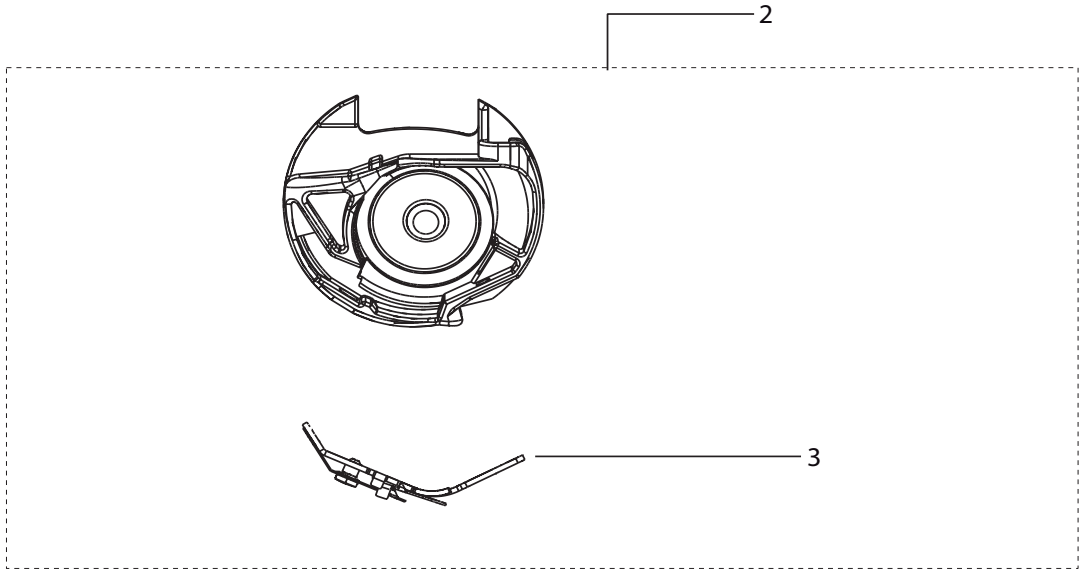
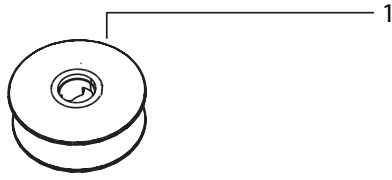
F



1	412963901	BOBBIN COVER
2	412964308	STITCH PLATE PFAFF INCH/MM
3	413025601	BOBBIN CASE HOLDER CPL
4	412423701	THREAD CUTTER
5	412964002	HOOK COVER CPL. CUT. AND SENS.
6	412287903	SCREW
7	412964105	HOOK COVER
8	412997701	ESD SPRING, STITCH PLATE
9	413101502	CABLE ASS. BOBBIN SENSOR
10	413007301	FETCHER UPPER THREAD
11	413010001	GUIDE PIN
12	412280501	SCREW, COUNTERSUNK
13	413007101	FETCHER
14	413072201	CONNECTING PART, FETCHER
15	413116701	THREAD BRAKE
16	413047301	KNIFE HOLDER CPL.
17	413007701	KNIFE HOLDER
18	413007402	STEPPING MOTOR CPL.
19	411966828	SCREW PT 30*6 FZB TORX
20	413072501	CUT. SENSOR ASS.
21	735612440	COMPRESSION RINGS Ø3
22	412056006	SCREW TAPTITE M4*12 TORX
23	413353001	MOTOR PLATE CPL.

G

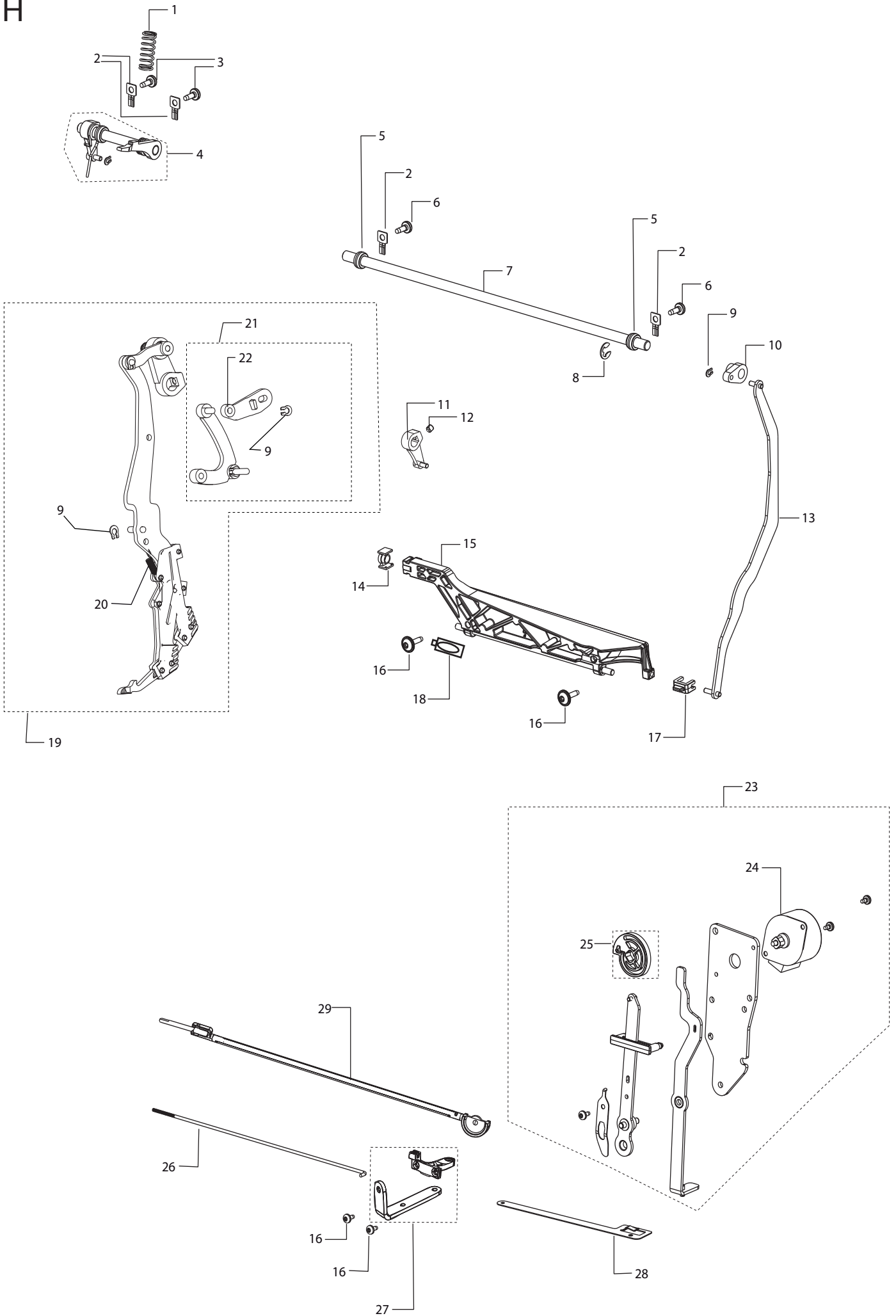
Pfaff Creative Performance



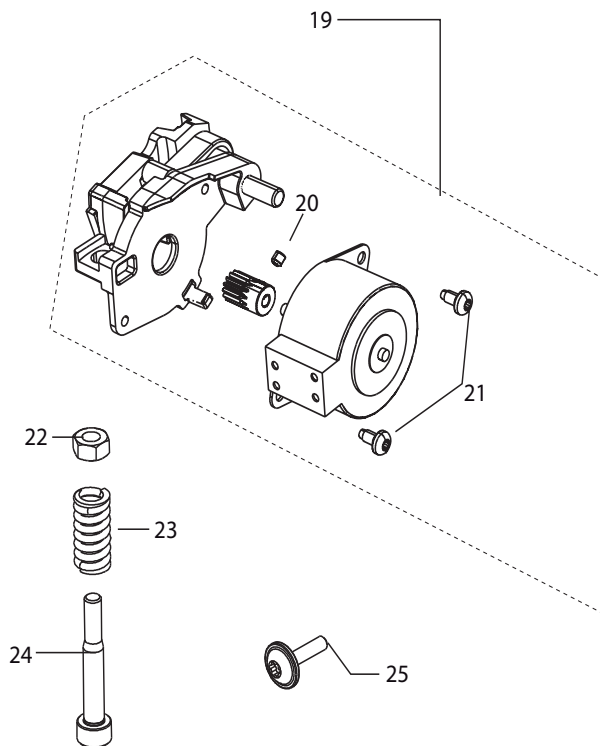
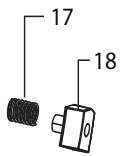
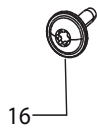
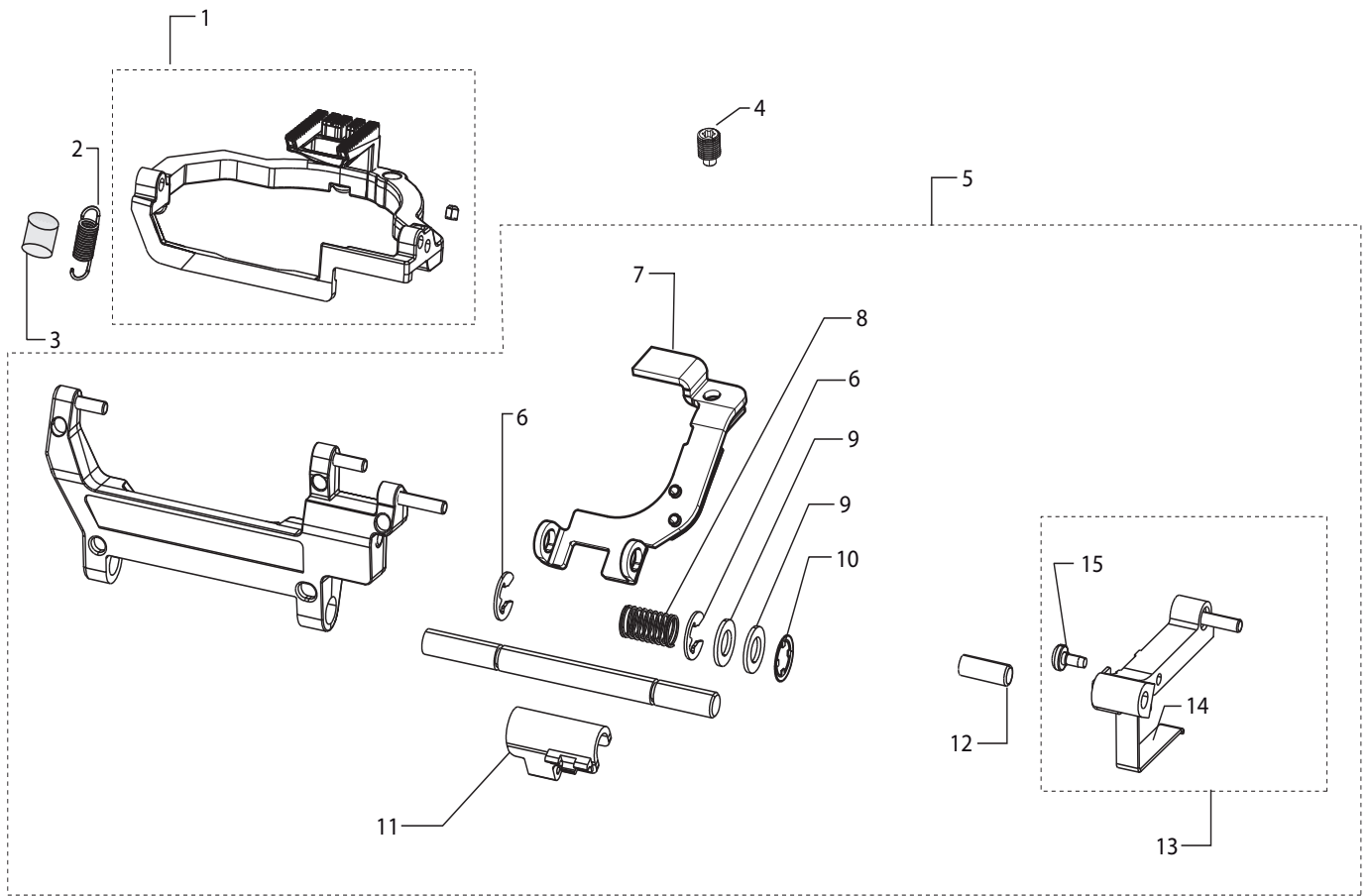


1	820921096	BOBBINS CPL. PF,GREY 10-P
2	413058903	BOBBIN CASE CPL.
3	412471601	THREAD TENSION CPL.
4	68016090	HOOK CPL WITH SHAFT
5	412930101	SPRING, HOOK
6	412964502	DUST COVER
7	728528705	SCREW M4*8 ROSE

H

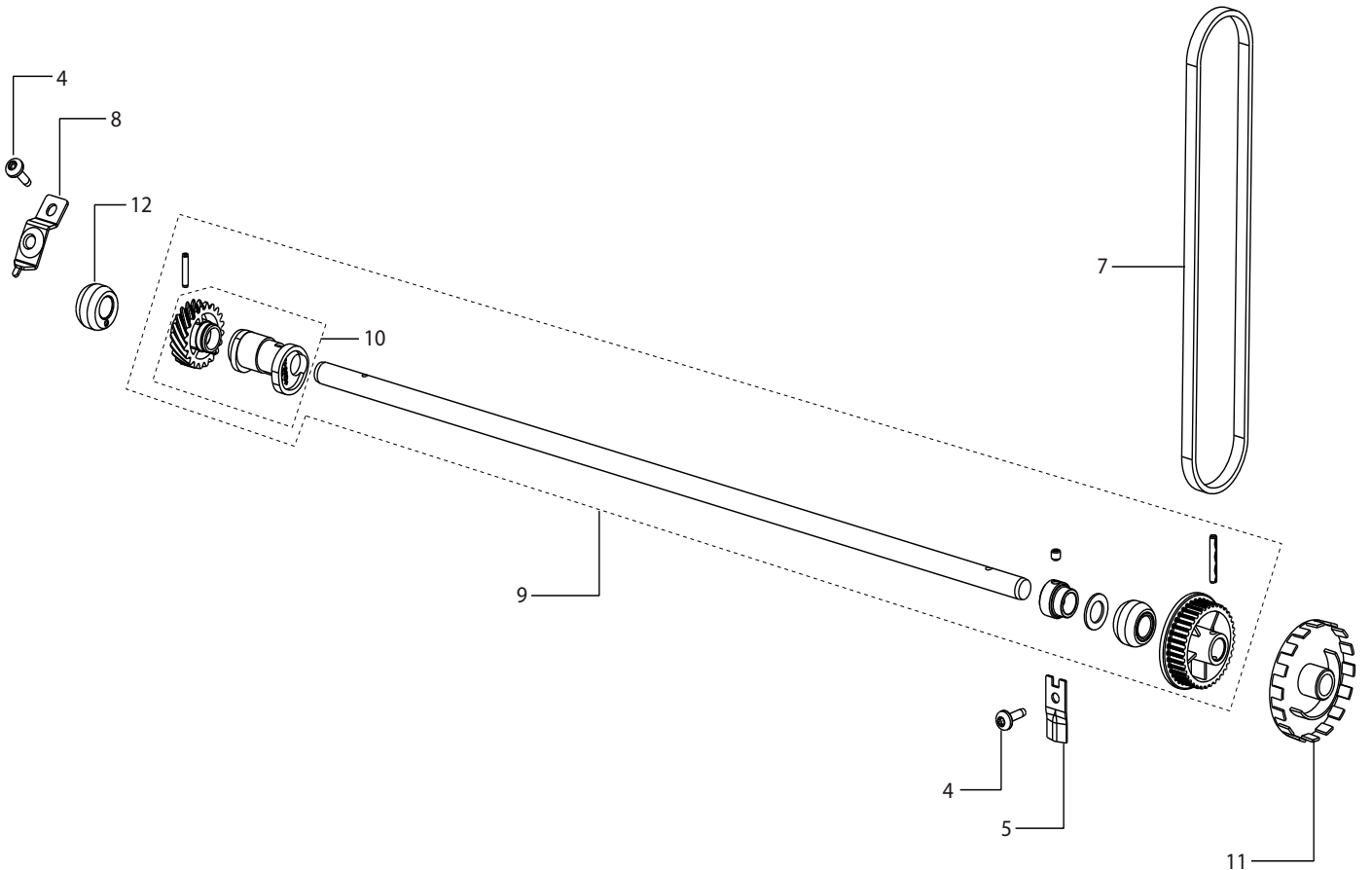
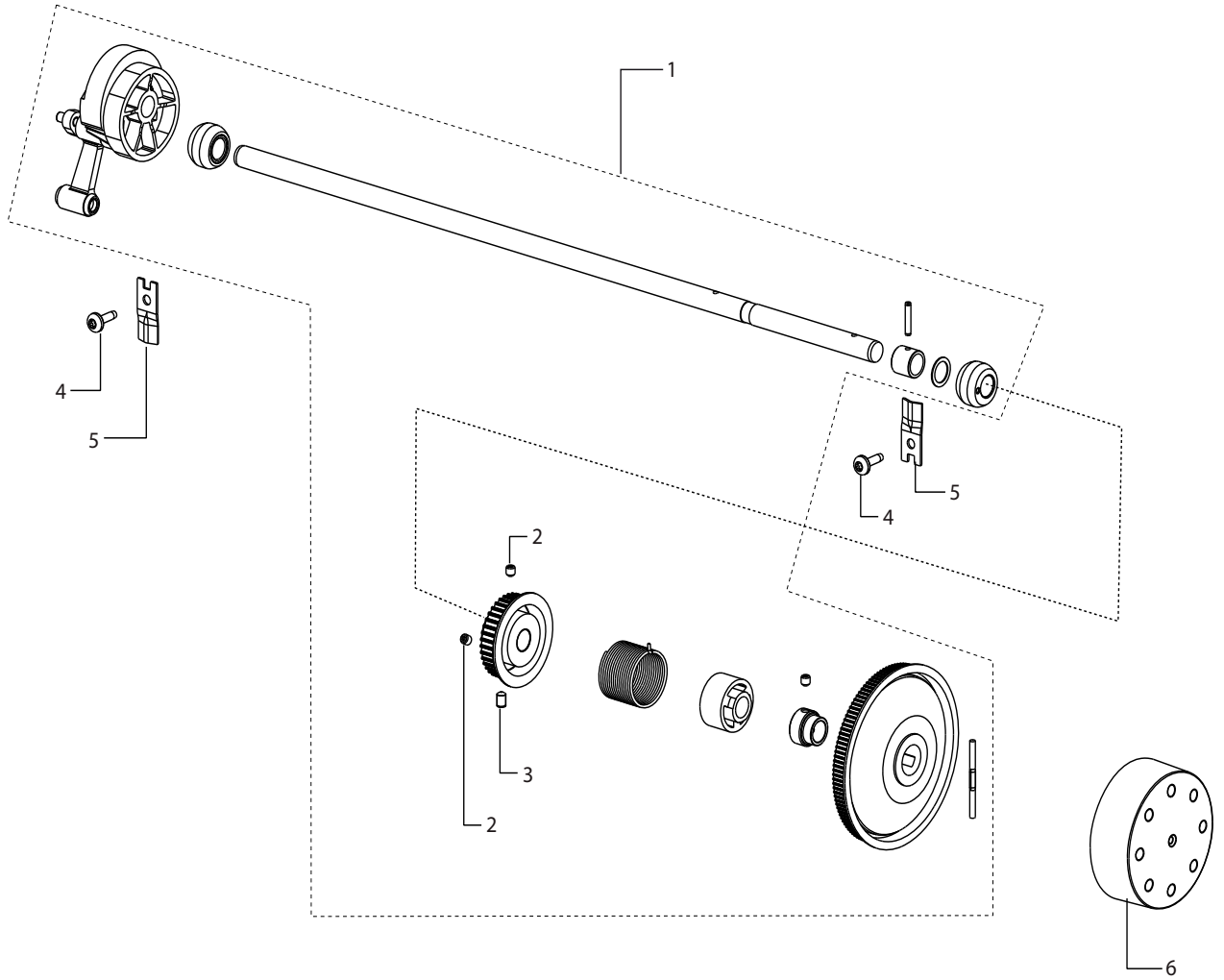


1	413065901	COMPRESSION SPRING, HEIGHT CAM
2	413042901	CLAMP, IDT
3	411966820	SCREW 30*10 FZB KOMBITORX
4	413065701	HEIGHT SHAFT, IDT CPL.
5	413042601	BEARING, IDT
6	412056005	SCREW TAPTITE M4*10 TORX
7	413042401	SHAFT UPPER, IDT
8	735310920	E-RING 5
9	735612440	COMPRESSION RINGS Ø3
10	413042501	REAR CRANK, IDT
11	413046201	HEIGHT CRANK, IDT CPL.
12	411968706	SET SCREW FLAT, M4*4 TORX
13	413043001	LINK, IDT, LONG
14	413042201	FEEDER BEARING, IDT
15	413041901	CONNECTOR FEEDER, IDT
16	411967212	SCREW TAPTITE FS M4*12 TORX
17	413042001	CLAMPING, IDT
18	413140701	CLAMP SHAFT, IDT
19	413043202	ARM, IDT CPL.
20	413043101	COMPRESSION SPRING
21	413140802	TOGGLE LINK, IDT CPL.
22	413043601	LOWER SLEWING BRACKET, IDT
23	413060001	SIDE FEED, FEED DOG DROP CPL.
24	412997902	STEPPING MOTOR, SIDE FEED
25	413060101	CAM WHEEL CPL.
26	413034101	PULL WIRE, FEED DOG DROP
27	413034501	LINKAGE UNIT, FEED DROP
28	413033401	TRANSM. LINKAGE, FEED DOG DROP
29	413033701	PULL ROD, SIDEFEEED, CPL.



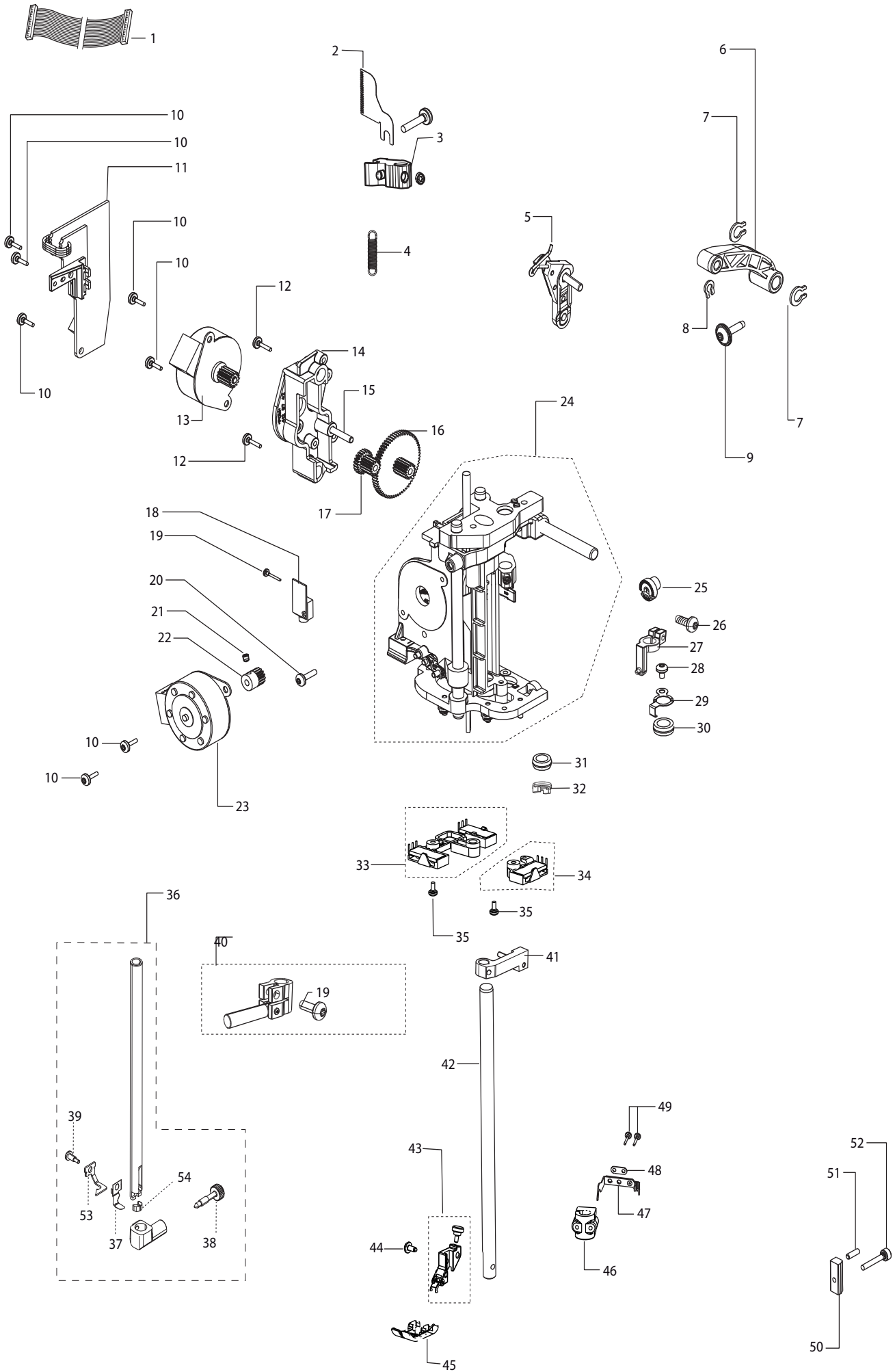
1	413201303	FEED DOG CPL.
2	413006802	TENSION SPRING, FRAME FEED DOG
3	413112601	BUFFER
4	413201201	ADJUSTMENT SCREW, FEEDER
5	413269015	CARRIGE FEED CPL.
6	735310920	E-RING 5
7	413200901	LEVER FEED LIFT CPL.
8	412962501	SPRING, FEED DOG LOWERING
9	412829101	WASHER, LOWER SHAFT
10	412368001	LOCK WASHER
11	413034201	INSERT, LEVER FEED LIFT
12	412316023	INA PIN NRB 4*19,8 0-2UM
13	412961601	LINK, CARRIAGE FEED CPL.
14	412961501	SPRING, FEED
15	412056004	SCREW TAPTITE M3*6 TORX
16	413169401	COLLAR SCREW TT TORX 4*14
17	412961701	SPRING, SLIDING BLOCK
18	412961801	BLOCK, GUIDE
19	412963501	STEPPING MOTOR UNIT, FEED
20	411968703	SET SCREW FLAT, M3*3 TORX
21	412056011	SCREW TAPTITE M3*5 TORX
22	413025401	NUT M5*5
23	412963601	SPRING
24	412963701	SCREW BALANCE ADJUSTMENT
25	413034402	COLLAR SCREW M4*10, LEFT HAND

J



1	412966711	UPPER SHAFT CPL.
2	411968706	SET SCREW FLAT, M4*4 TORX
3	411968807	SET SCREW POINTED, M4*6 TORX
4	412056006	SCREW TAPTITE M4*12 TORX
5	412328401	CLAMP
6	413040301	HAND WHEEL
7	413020301	COG BELT UPPER-LOWER SHAFT
8	412318101	CLAMP LOWER SHAFT
9	412967905	LOWER SHAFT CPL. (BOX)
10	412964403	ECCENTRIC FEED CPL. (BOX)
11	412968101	SHIELD,REVOLUTION INDICATOR
12	412491601	BEARING ECC.

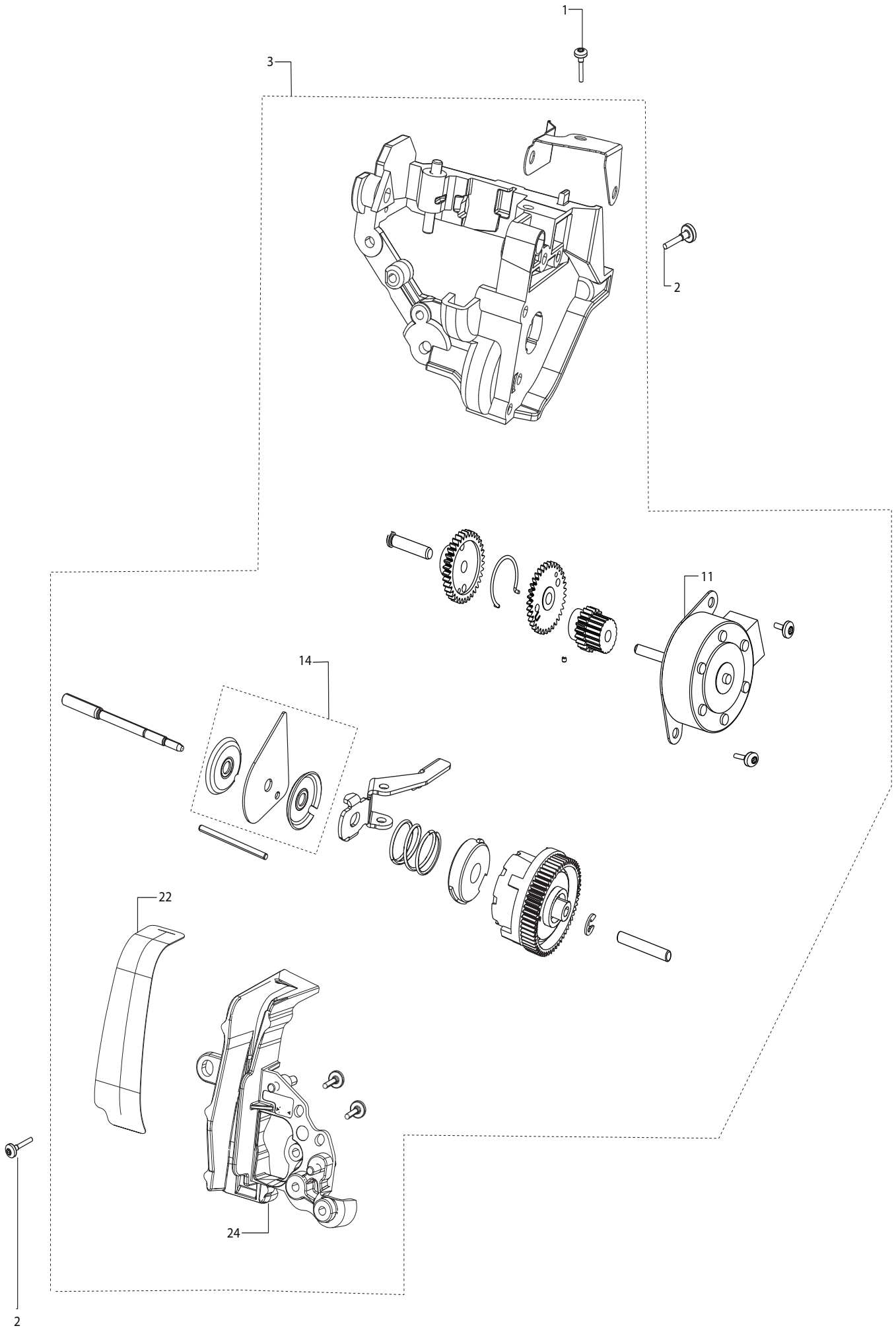
K





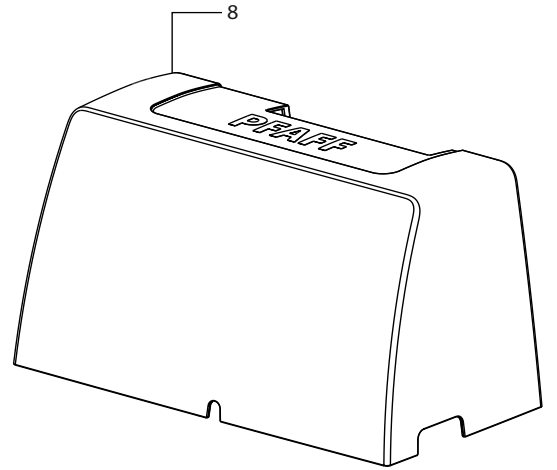
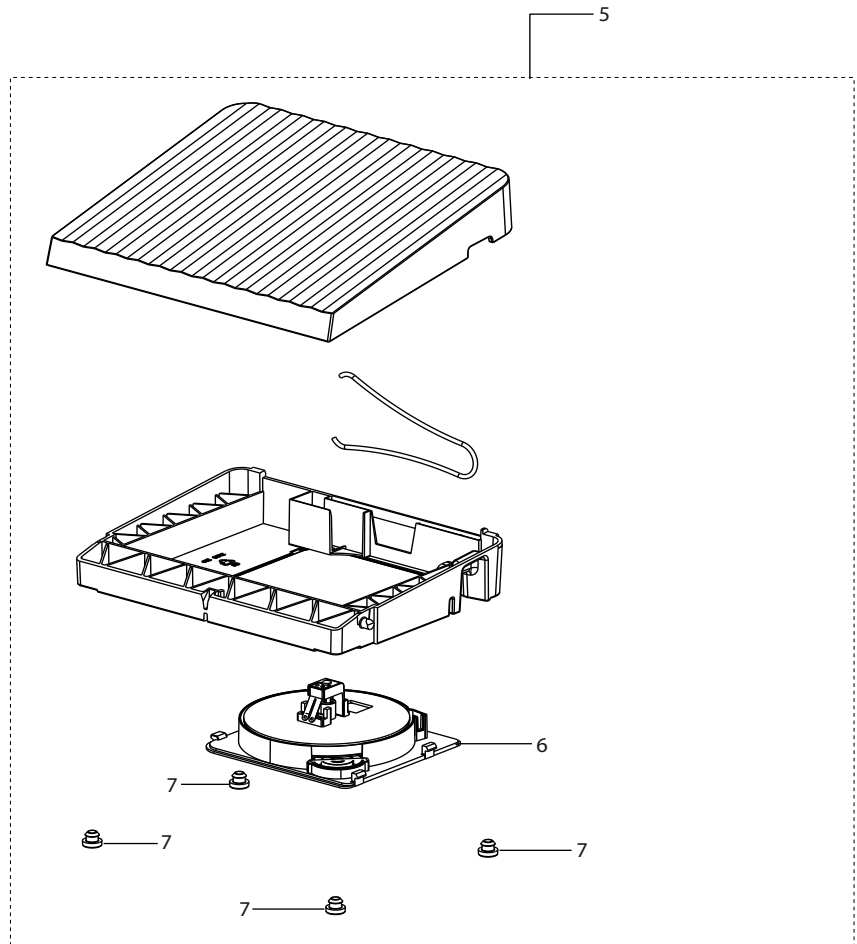
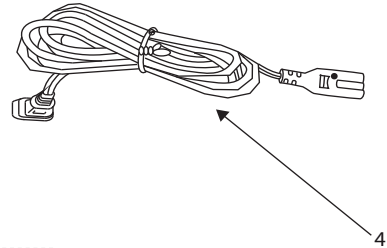
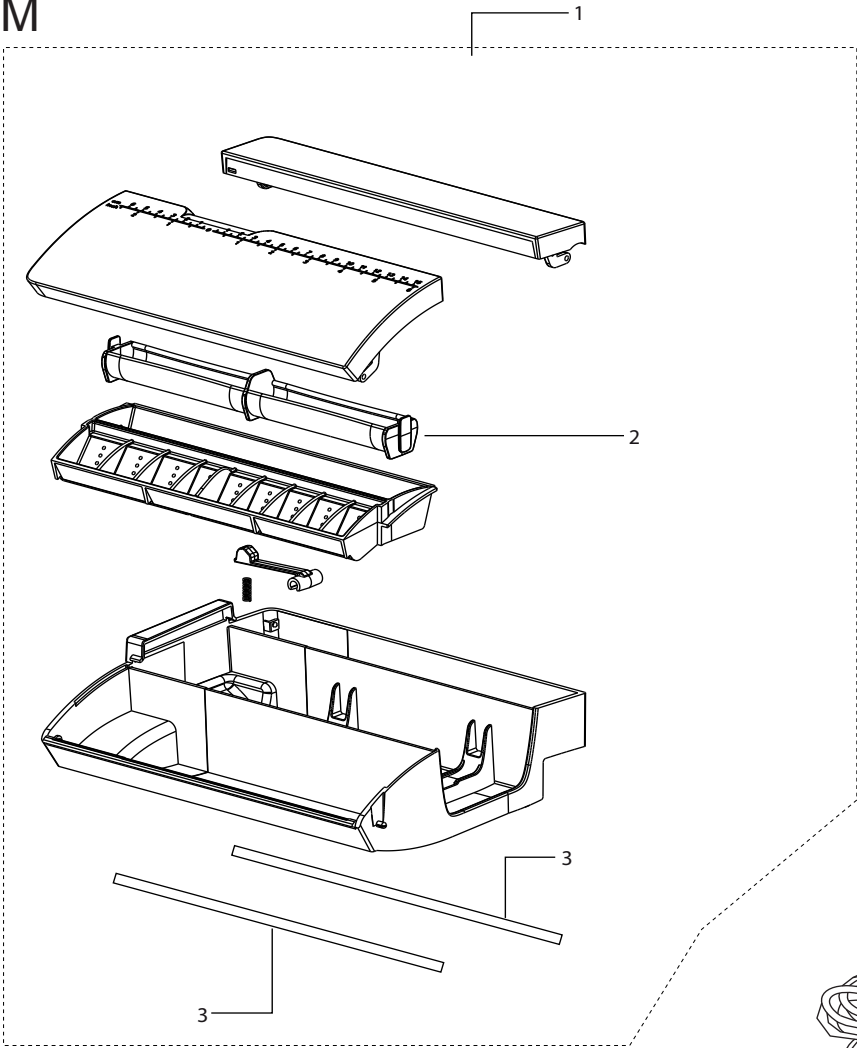
1	412546912	CABLE ASSEMBLY (18P)
2	412973901	SHIELD, PRESSER FOOT SERVO
3		GUIDE, SERVO CPL.
4	413137602	SPRING,.PRESSER FOOT PRESSURE
5	413300302	TAKE UP LEVER CPL. WITH LINK
6	413047401	LINK
7	735615340	COMPRESSION RINGS Ø6
8	735613640	COMPRESSION RINGS Ø4
9	413169401	COLLAR SCREW TT TORX 4*14
10	411966801	SCREW PT 30*7,5 FZB TORX
11	413067003	CONN. BOARD SERVO SENS.
12	411966820	SCREW 30*10 FZB KOMBITORX
13	413005901	STEPPING MOTOR CPL.
14	412974201	GEAR HOUSE, SERVO
15	412316010	INA PIN NRB 3*17,8 0-3UM
16	412974401	GEAR WHEEL SERVO SEC.
17	412974301	GEAR WHEEL SERVO PRIM.
18	413031001	BUTTONSENS. CONN. ASS.
19	411966821	SCREW PT 18*10 FZB TORX
20	412211404	SCREW M3*10 TORX
21	411968703	SET SCREW FLAT,M3*3 TORX
22	413057201	GEAR, Z-Z
23	412993901	STEPPING MOTOR
24	413244201	SEWING HEAD CPL. A
25	412966501	CALIBRATION KNOB
26	413019001	SCREW K30*8 PT WN 1452-S
27	412993502	STROKE LIMITER
28	412211401	SCREW M3*4 TORX
29	413060301	CLIPS, GABLE LOWER
30	412500601	BEARING
31	412501501	BEARING 10/6,35-4
32	412504701	LOCKING DEVICE
33	413138002	LED HOLDER CPL, LEFT
34	413137902	LED HOLDER CPL, RIGHT
35	412211402	SCREW M3*6 TORX
36	68003690	NEEDLE BAR CPL PF
37	413304201	THREAD LOCK, NEEDLE HOLDER
38	413372901	SCREW NEEDLE HOLDER PF
39	68002284	SCREW THREAD LEADER
40	412993603	CROSS HEAD CPL.
41	413045801	PRESSER BAR GUIDE SERVO, IDT
42	412285403	PRESSER BAR
43	413039201	HOLDER PRESSER FOOT CPL.
44	413040401	SCREW HOLDER PRESSER FOOT
45	820773096	STANDARD PRESSER FOOT W. IDT
46	413053601	HOLDER, NEEDLE THREADER
47	413238402	NEEDLE THREADER
48	412876701	WASHER, NEEDLE THREADER
49	411966825	SCREW PT 16*8 FZB TORX
50	412966601	WEDGE
51	728522205	SOCKET SET SCREW FLAT POINT
52	725522805	SCREW M3*16 INSEX
53	68008796	THREAD GUIDE
54	68016246	CLAMPING PIECE

L



1	411966803	SCREW PT 30*12 FZB TORX
2	412056006	SCREW TAPTITE TORX M4X12
3	412940208	THREAD TENSION ASS. CPL
11	412993903	STEPPING MOTOR
14	413106402	THREAD DISK KIT
22	413218502	SEALING, TAKE UP LEVER
24	413232202	SHIELD, TAKE UP LEVER,ASS

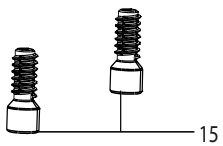
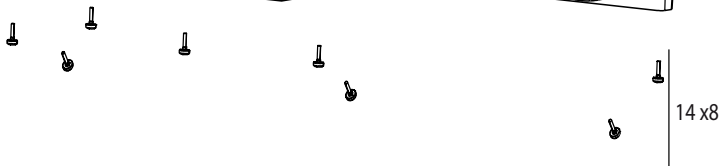
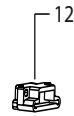
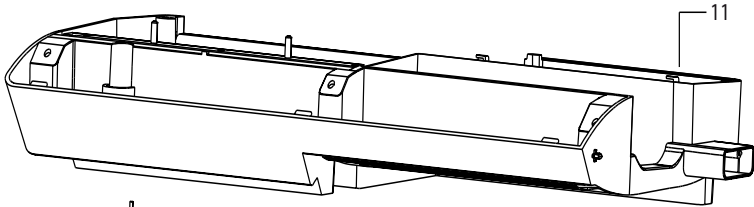
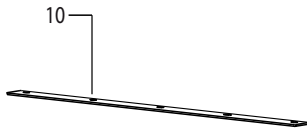
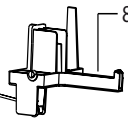
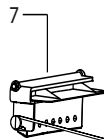
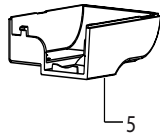
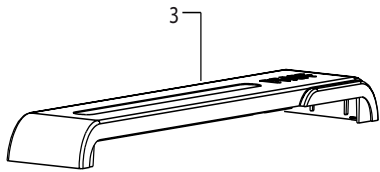
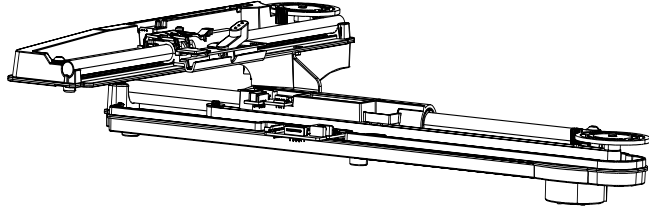
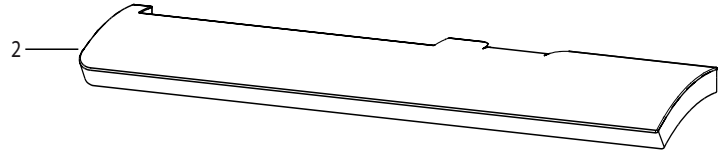
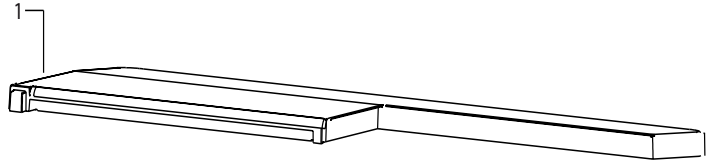
M



1	413083903	ACCESS.BOX CPL. W. SPOOL HOLD.
2	412737401	BOBBIN HOLDER
3	412529702	FRICITION TAPE
4	412157801	NET CABLE 230V
	412157903	NET CABLE 120V
	412158002	NET CABLE GB
		NET CABLE AU
5	412991403	FOOT CONTR.CPL. GREY W.WIND
6	412493002	CONTROL UNIT W. WINDER
7	412184501	FOOT
8	413071901	COVER CPL.

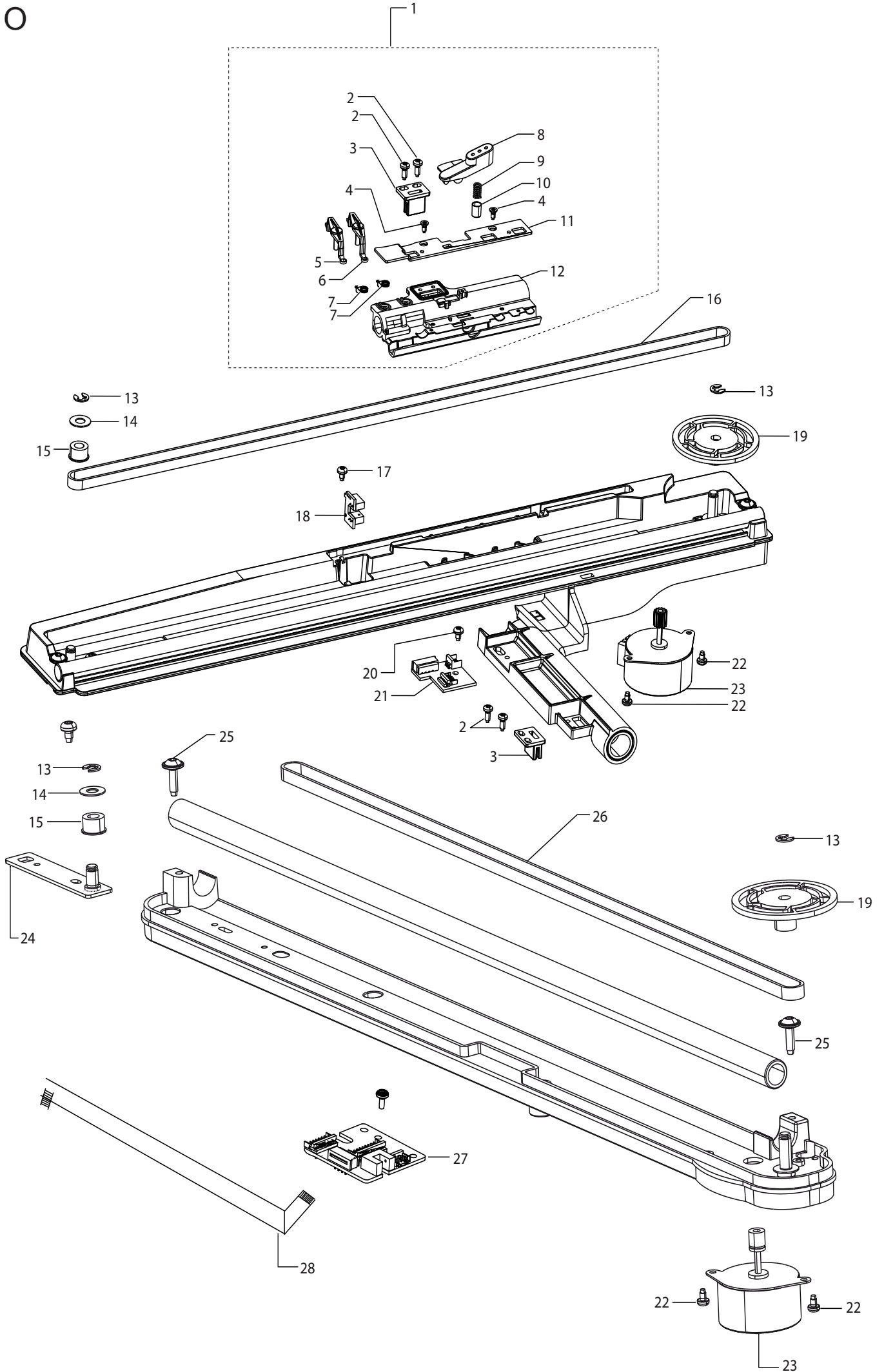
N

Pfaff Creative Performance



1	413126201	TOP COVER XY-UNIT
2	413126301	COVER, XY-UNIT
3	413126501	COVER, Y-ARM XY-UNIT
4	413027502	SUPPORT ARM, Y-ARM
5	413126601	MOTOR COVER, Y-ARM
6	412721401	SPRING, LATCH P08-E
7	413027701	HANDLE LATCH
8	413027601	LATCH
9	413027802	CONNECTING ROD, LATCH X=200
10	413126401	GUIDE SUPPORT ARM
11	413126102	BOTTOM COVER, XY-UNIT, BLACK
12	413028801	CABLING, XY-UNIT CPL.
13	411966820	SCREW 30*10 FZB KOMBITORX
14	412056006	SCREW PT 40*10 FZB TORX
15		FOOT, XY-UNIT CPL.

O

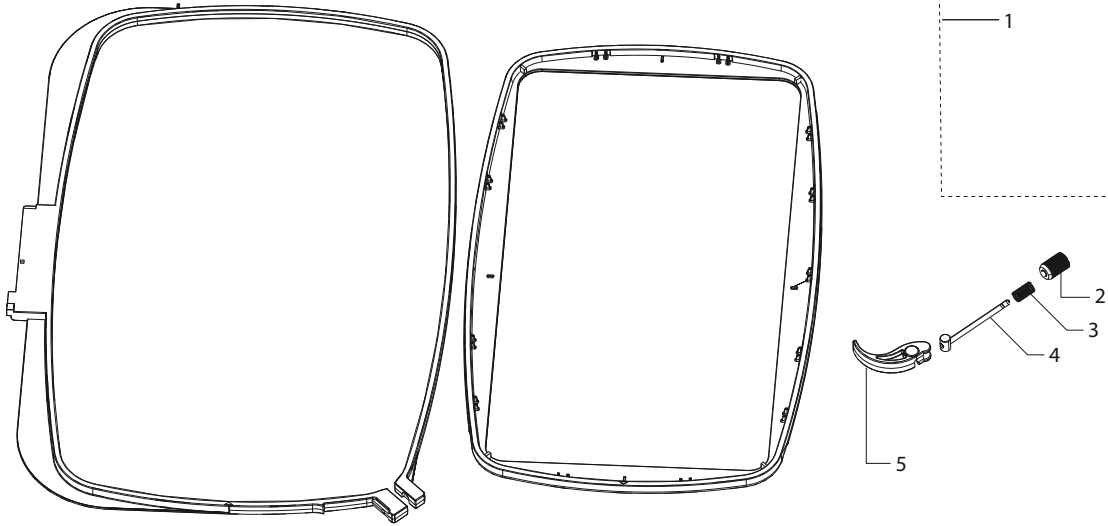




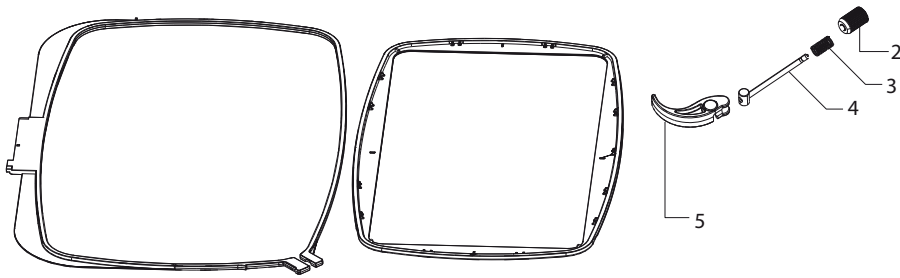
1	68006061	Y-SLED CPL.
2	411966801	SCREW PT 30*7,5 FZB TORX
3	412525301	HOLDER Y-COG BELT
4	411967306	SCREW PT FS 25*6 OXSV TORX
5	68006008	HOOP INDICATOR BLACK
6	68006006	HOOP INDICATOR GREY
7	412555701	SPRING
8	413030201	LOCKING ARM Y-SLED
9	412526601	SPRING
10	412590003	SLEEVE
11	413026901	PANEL,Y-SLED CPL.
12	413026801	Y-SLED
13	735310820	LOCK WASHER 4
14	412384301	WASHER 6/13*0,6
15	412384202	COG WHEEL
16	413075201	SYNCHRONOUS BELT, Y-FRAME
17	412056011	SCREW TAPTITE M3*5 TORX
18	413029601	BOARD,HOOP DETECTION CPL.
19	412524601	GEAR WHEEL
20	412056001	SCREW TAPTITE M5*14 TORX
21	413029301	BOARD, Y-ARM CPL.
22	412056004	SCREW TAPTITE M3*6 TORX
23	413029901	STEPPER MOTOR, XY-UNIT CPL.
24	412524901	PLATE, BELT TENSION CPL.
25	413169401	COLLAR SCREW TT TORX 4*14
26	412526702	Y-BELT
27	413029002	BOARD, XY-UNIT CPL. 260*200
28	412388107	FLEX CABLE

P

260x200

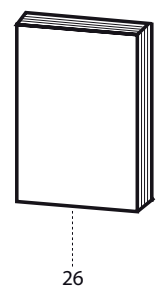
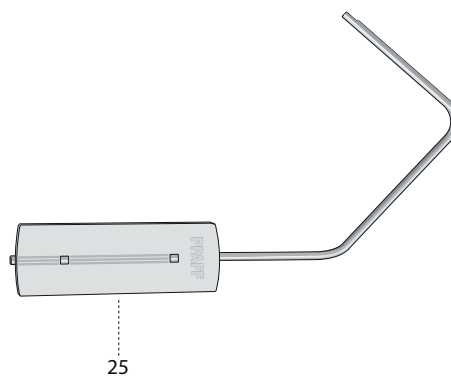
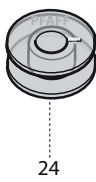
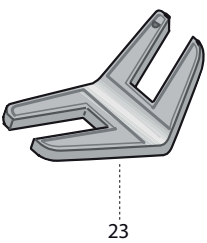
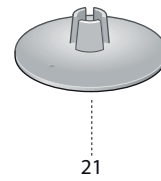
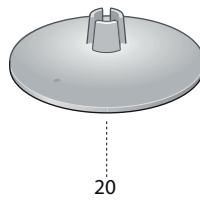
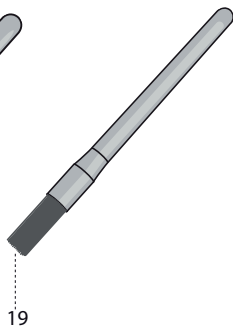
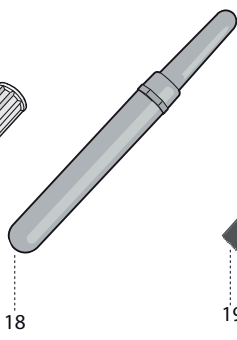
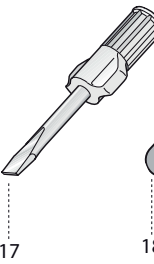
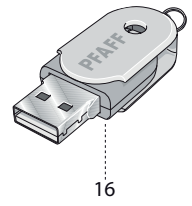
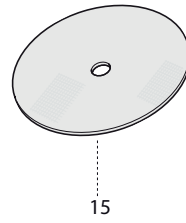
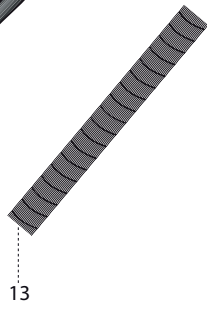
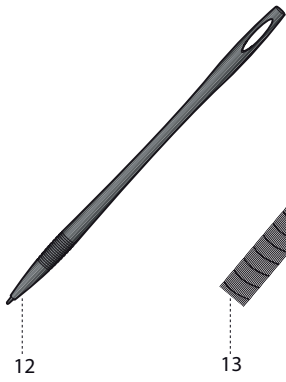
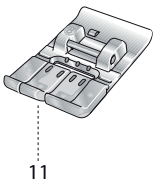
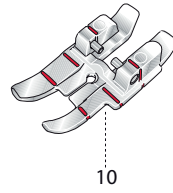
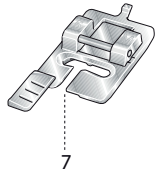
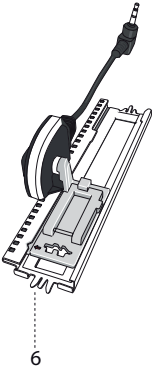
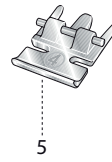
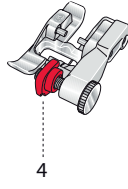
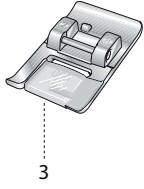
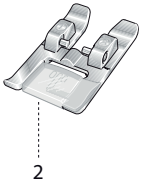


120x120



6

1	413116502	EMBROIDERY FRAME 260*200 PFAFF
2	412996501	NUT. EMBR. FRAME
3	412620701	SPRING, EMBROIDERY HOOP
4	412956204	SCREW CPL. HOOP
5	412984701	LOCKING HANDLE EMBR. HOOP
6	412968202	EMBROIDERY FRAME CPL. 120*115



## Standard Accessories

	413 02 16 22	Accessory bag cpl
12	412 69 34 06	Stylus
13	412 39 77 01	Thread net
14	820251096	Edge guide
15	412 61 07 01	Felt pad
17	412 38 15 01	Screwdriver
18	401 53 99 01	Seamripper
19	401 55 55 01	Brush
20	413 05 16 03	Spoolcap large 45mm
21	413 05 16 02	Spoolcap medium 35mm
23	413 10 56 01	Clearance plate
24	820921096	Bobbin 10pack
25	413 10 97 01	Kneelifter cpl
	413 31 79 01	Microfiber cloth cpl.
16	413095708	USB EMBROIDERY STICK 1 GB PF
	412625901	USB Cable without ferritcore - USA/CAN version
	412625904	USB Cable with ferritcore
2	820774096	Presser foot 1A FANCY STITCH FOOT W IDT
3	413 06 05 01	Presser foot 2A FANCY STITCH FOOT
4	820256096	Presser foot 3 BLINDHEM FOOT W IDT
5	820248096	Presser foot 4 ZIPPER FOOT W.IDT
6	413170301	Presser foot 5A SENSORMATIC BUTTONHOLE FOOT
7	820672096	Presser foot 5M MAN. BUTTONHOLE FOOT
8	820671096	Presser foot 6A EMBR/SENSOMATIC FREE-MOTION
	820249096	Presser foot 7 ROLLED HEM FOOT 3 MM WITH IDT
10	412864906	Presser foot Quilt foot
11	820259096	Presser foot 8 MAXI STITCH FOOT
26	413330296	SAMPLER BOOK

## TOOLS

413141701 GAUGE FOR IDT/PRESSER FOOT